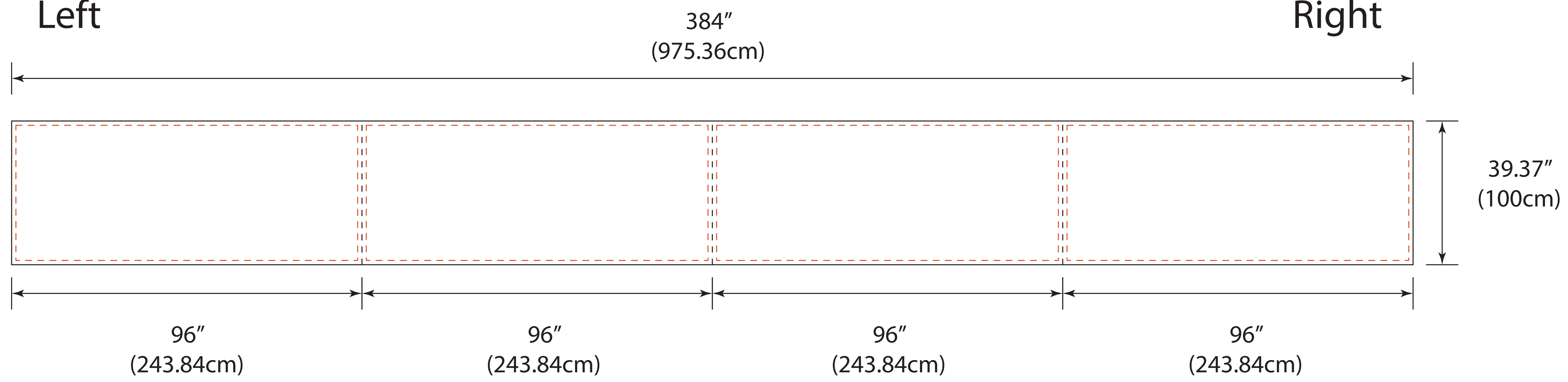


1 : 10

Front
Left

Front
Right



Back
Left

Back
Right

